

## PS-SAC40 Single Axis Stepper Controller

### Main Features

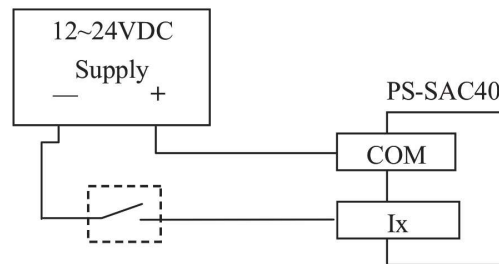
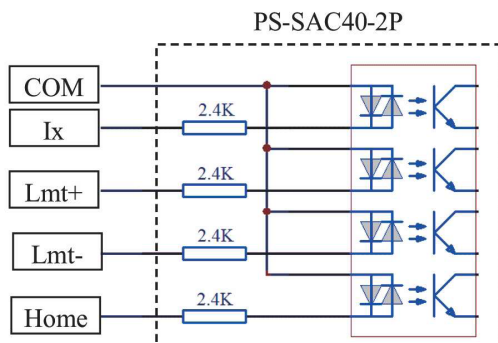
- DC 12-24VDC Input
- 9 Programmable optically isolated input port  
2.4K internal current limiting resistor
- 8 Programmable optically isolated output signal port
- Max. output current of 500mA
- Home, Jog+, Jog- opto-isolated inputs
- JOG Speed and direction control can be set to Internal /External Mode
- RS 232 /RS 485 Selectable
- Host through RS232/RS485 serial port to send SCP instruction (Drive Programming Language) to achieve real time control, connecting drive to PC, PLC or MCU



### Interface Circuit

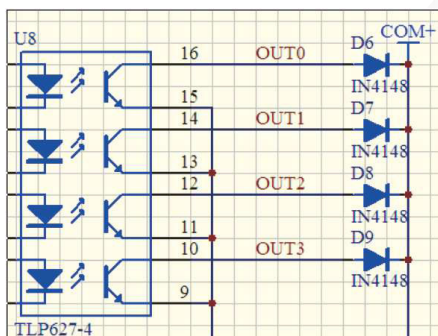
#### Input Circuit :

Input port includes: I0~I8, LIMIT+, LIMIT-, HOME. Where input I7 and I8 can be used as the direction of the movement of the JOG control input.



#### Output Circuit :

The maximum drive current output port is 120mA, maximum voltage of 40V, and with freewheeling diode which is particularly useful for driving inductive loads.



Note: Optocoupler input port is bidirectional, COM Terminal can be connected to the positive terminal of the power supply, and the power ground.  
Limit+, Limit -, and Home input circuit is the same as input circuit I0~I8