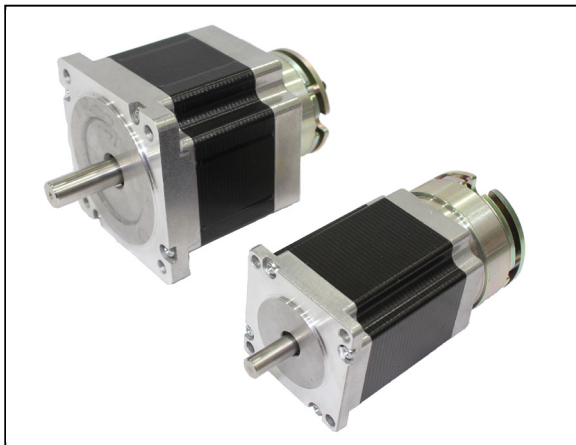


Nema 23 Size -PSM86HS2A80-2P-BR



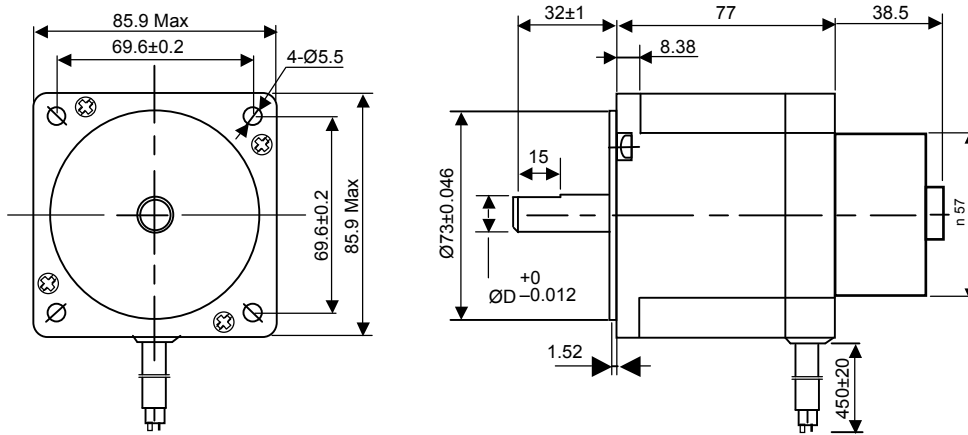
Features

Motor with Integrated Brake
 24V Electro-Magnetic Brake
 Great for Vertical Axis Application

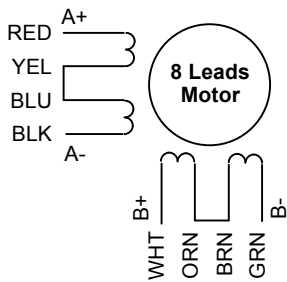
General Specifications

Step Angle : 1.8°
 Insulation Class : B
 No of Motor Leads : 8

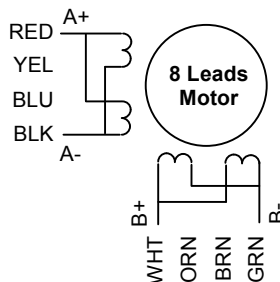
Mechanical Dimensions (mm)



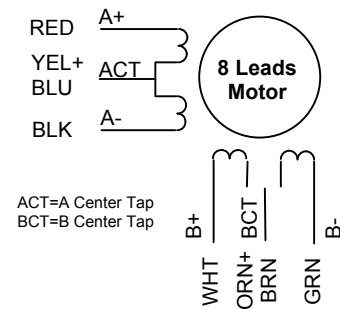
Wiring Diagram



Series Connection



Parallel Connection



Uni-Polar Connection

Electrical Specifications

Motor Model	Holding Torque (Nm)	Current/Phase (A)	Resistance/Phase (Ω)	Inductance/Phase (mH)	Detent Torque (gcm)	Rotor inertia (g-cm ²)	Weight (kg)	Length Lmax (mm)	Shaft ØD (mm)	Flat Cutout (mm)
PSM86HS2A80-2P-BR	4.5	4.2	0.8	3.5	1300	1400	2.75	117.5	12.7	0.8 x 15

Brake Type	Voltage (DC)	Resistance (Ω)	Power (W)	Insulation Class	Dynamic Fiction Torque Kgm (Nm)	Dynamic Fiction Torque Kgm (Nm)	Dynamic Voltage	Gap (mm)
Electro-Magnetic	24V	58	10	F	0.18 (1.8)	0.2 (2.0)	16V	0.1 - 0.18