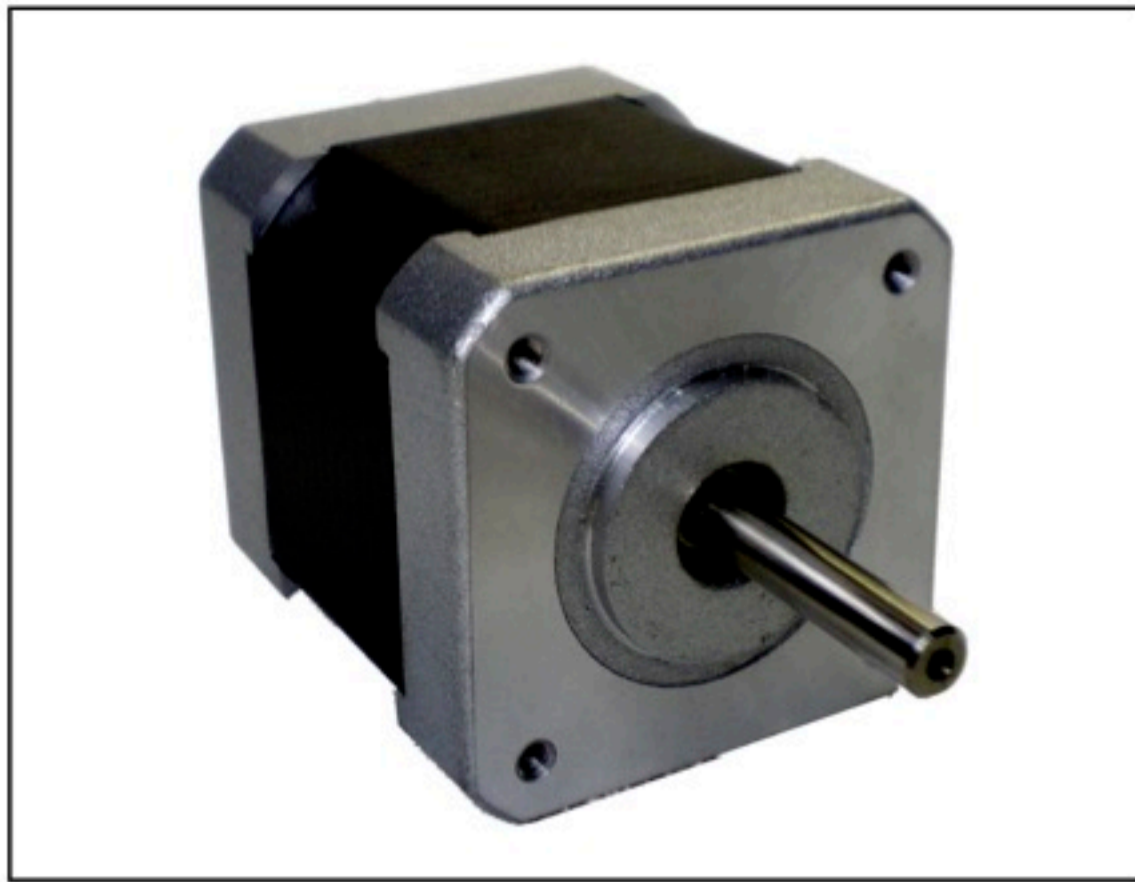


**Nema 17 Size - 2 Phase Hybrid Step Motor**



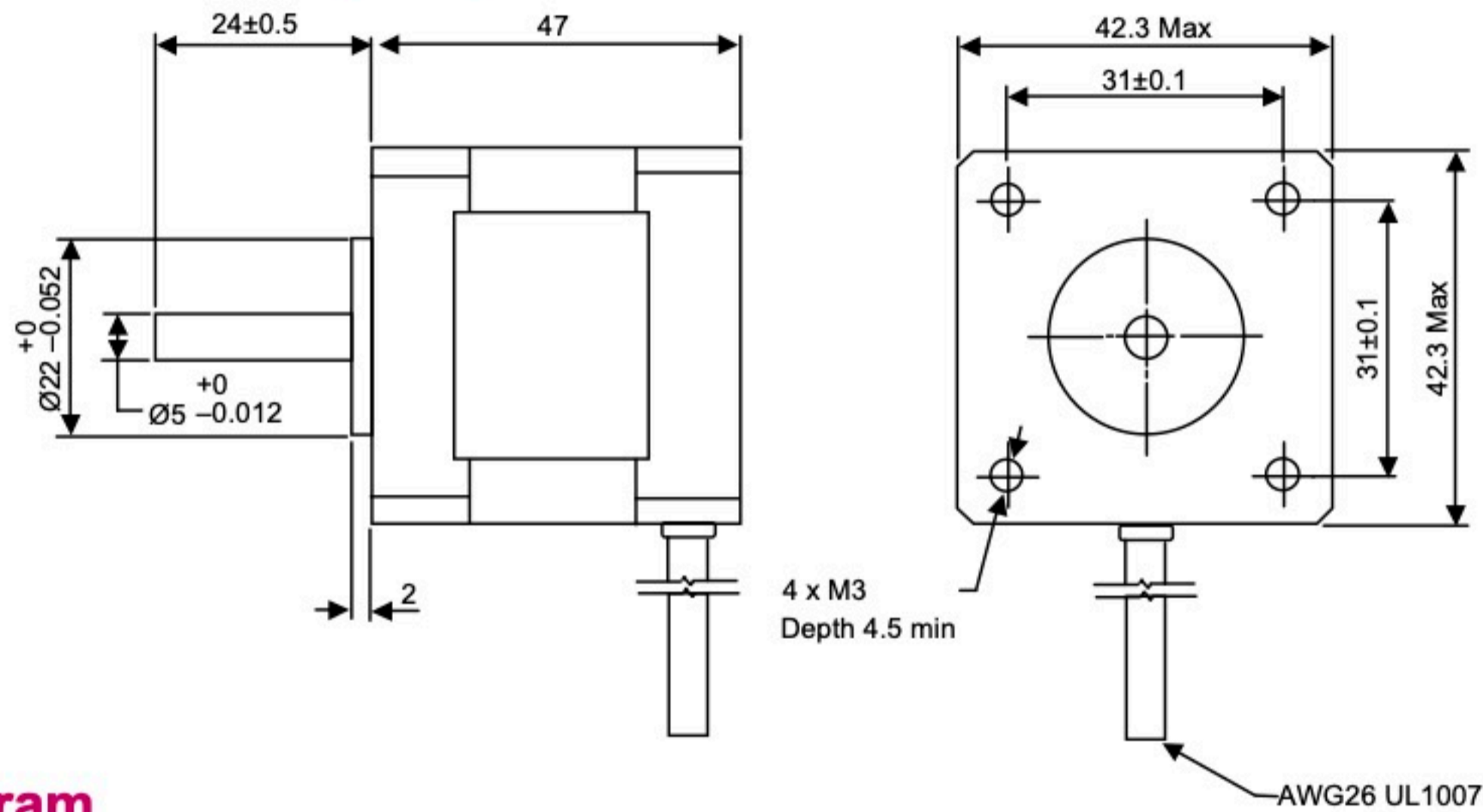
**Features**

- Low Vibration
- Low Noise
- Smooth Movement

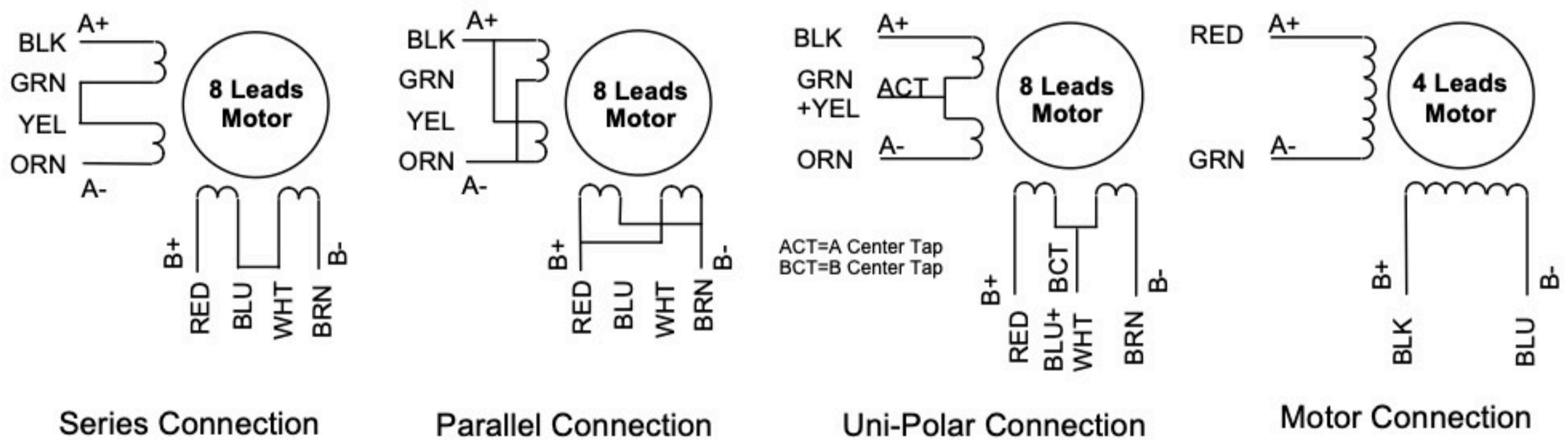
**General Specifications**

- Step Angle : 1.8°
- Insulation Class : B
- No of Motor Leads : 4 or 8

**Mechanical Dimensions (mm)**



**Wiring Diagram**



**Electrical Specifications**

| Model          | Holding Torque (kgcm) | Current/Phase (A) | Resistance/Phase (Ω) | Inductance/Phase (mh) | Detent Torque (gcm) | Rotor inertia (g-cm <sup>2</sup> ) | Weight (kg) | Length Lmax (mm) | Shaft ØD (mm) | No of Motor Leads |
|----------------|-----------------------|-------------------|----------------------|-----------------------|---------------------|------------------------------------|-------------|------------------|---------------|-------------------|
| PSM42HS2A25-2P | 1.7                   | 0.4               | 24                   | 36                    | 200                 | 20                                 | 0.15        | 25               | 5             | 4                 |
| PSM42HS2A40-2P | 3.2                   | 0.8               | 10                   | 17                    | 150                 | 57                                 | 0.24        | 40               | 5             | 4                 |
| PSM42HS2A48-2P | 3.4                   | 1.0 (S) / 2.0 (P) | 4.6                  | 4                     | 200                 | 82                                 | 0.34        | 48               | 5             | 8                 |