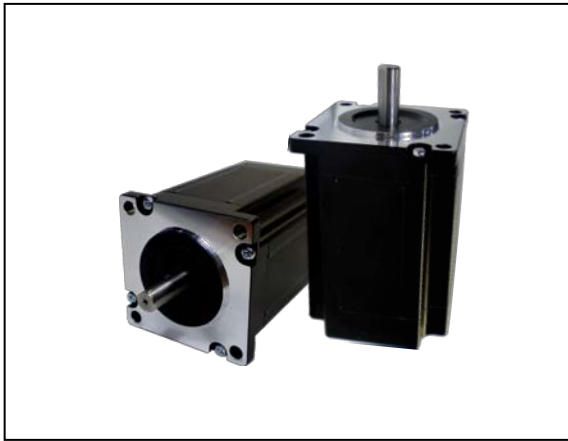


Nema 23 Size - 3 Phase Hybrid Step Motor



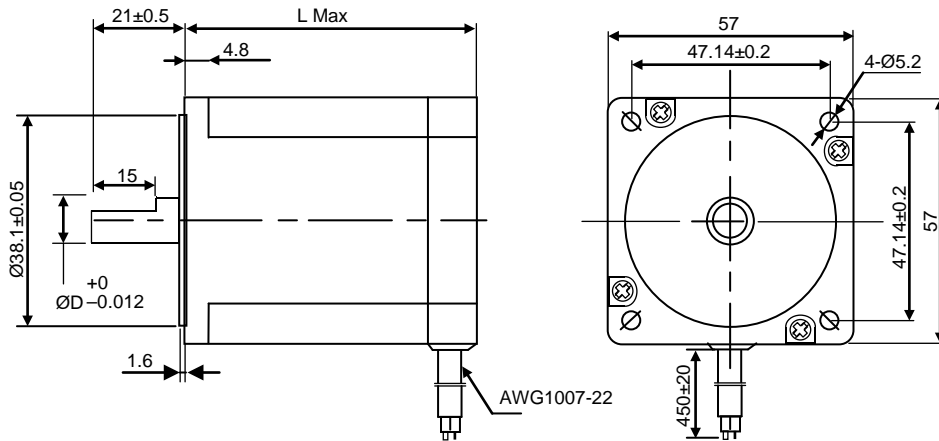
Features

- Low Vibration
- Low Noise
- Smooth Movement
- Better Step Precision

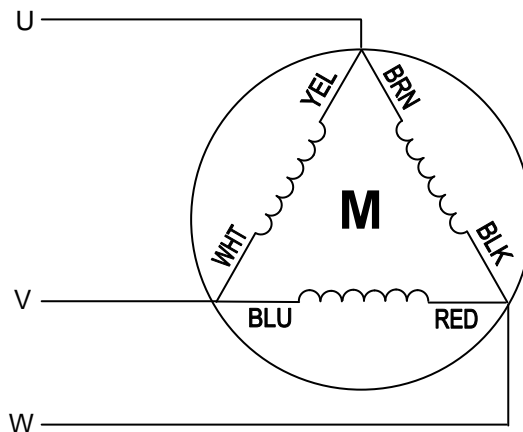
General Specifications

- Step Angle : 1.2°
- Insulation Class : B
- No of Motor Leads : 6

Mechanical Dimensions (mm)



Wiring Diagram



Electrical Specifications

Model	Holding Torque (kgcm)	Current/Phase (A)	Resistance/Phase (Ω)	Inductance/Phase (mh)	Detent Torque (gcm)	Rotor inertia (g-cm ²)	Weight (kg)	Length Lmax (mm)	Shaft ØD (mm)	Flat Cutout (mm)
PSM57HS3A50-3P	0.6	3.5	1.3	1.7	350	190	0.6	50	6.35	0.8 x 15
PSM57HS3A56-3P	0.9	5	0.5	1	400	220	0.72	56	6.35	0.8 x 15
PSM57HS3A76-3P	13	5.8	0.7	1.35	700	380	1.1	76	8	0.8 x 15
PSM57HS3A85-3P	15	5.8	0.69	2.0	800	550	1.2	85	8	0.8 x 15