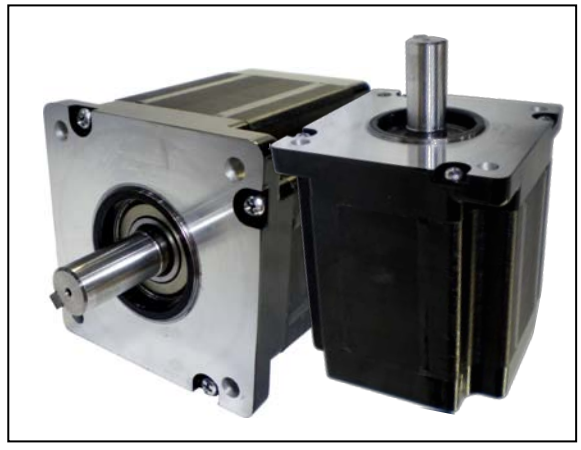


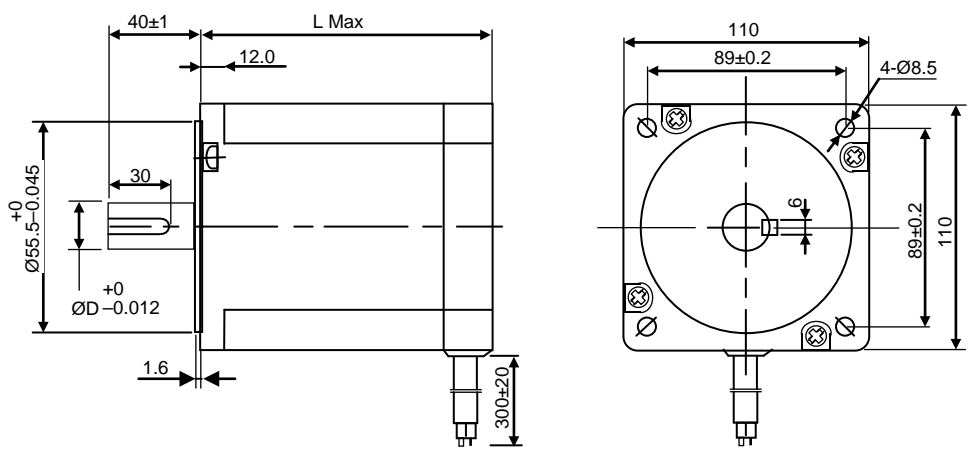
Nema 42 Size - 3 Phase Hybrid Step Motor



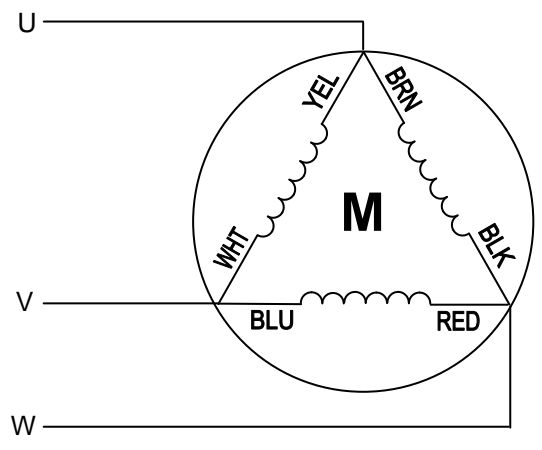
- Features**
- High Torque
 - Better Acceleration Performance
 - Smoother Motion
 - Better Precision

- General Specifications**
- Step Angle : 1.2°
 - Insulation Class : B
 - No of Motor Leads : 6

Mechanical Dimensions (mm)



Wiring Diagram



Electrical Specifications

Model	Holding Torque (kgcm)	Current/Phase (A)	Resistance/Phase (Ω)	Inductance/Phase (mh)	Detent Torque (Kgcm)	Rotor inertia (Kg-cm ²)	Weight (kg)	Length Lmax (mm)	Shaft ØD (mm)	Keyway (mm)
PSM110J12120-3P	9	4	3.65	19.2	3	8.5	6.2	122	19	3 x 30
PSM110J12135-3P	13	4.2	3.2	22	5.5	10.5	8	142	19	3 x 30
PSM110J12170-3P	17	4.9	2	20	6.8	12	10	172	19	3 x 30